

---

## SPECIFICATIONS

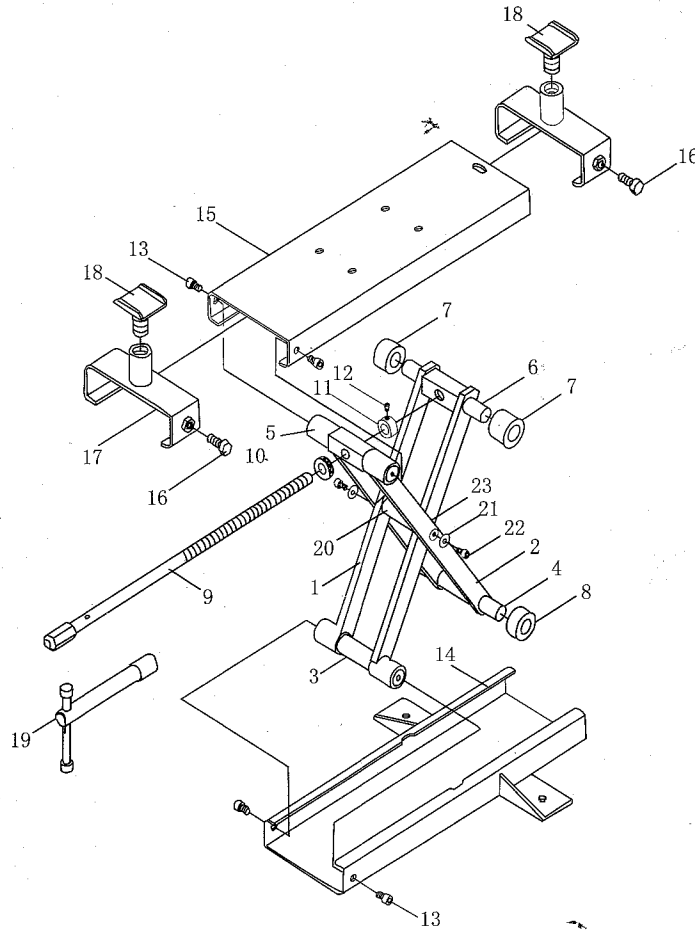
Max. Capacity	1100lbs (500kg)
Max. Height	400mm (15-3/4")
Min. Height	95mm (3-3/4")
Platform Size	450 x 150 mm (17-23/32" x 5-29/32")
Net Weight	14.2kg (31.2lbs)
Gross Weight	14.7kg (32.3lbs)

## CAUTION

1. The maximum load is 1100lbs (500kg). **DO NOT** exceed this rated capacity.
2. Use this lift for second-lift purpose only. **DO NOT** use it for any other purpose it is not designed to perform.
3. Keep children and unauthorized persons away from the work area.
4. Wear ANSI approved safety goggles when operating the lift.
5. Only use this lift on a big, stable, level, dry and not slippery motorcycle lift platform. Keep the surface clean, tidy and free from unrelated materials and ensure that there is adequate lighting.
6. Always keep your hands and feet away from working area.
7. **DO NOT** allow untrained persons to operate the lift.
8. **DO NOT** make any modifications to this lift.
9. **DO NOT** expose the lift to rain or snow.
10. Ensure that you read, understand and apply the safety instructions and warnings before use. Failure to heed these instructions may result in property damage and/or personal injury.

## MAINTENANCE

1. When not in use, the lift must be stored in the lowest position in a dry location.
2. Keep the lift clean and wipe off any oil or grease. Lubricate all moving parts.
3. Before each use check all parts. If any part of the lift is damaged or suspect, remove the lift from service and take necessary action to repair.



### PARTS LIST

Part No.	Description	Qty	Part No.	Description	Qty
1	Inside lifting arm	1	13	Bolt M8 x 12	4
2	Outside lifting arm	1	14	Base plate	1
3	Inside fixing spindle	1	15	Platform	1
4	Outside removable spindle	1	16	Bolt	2
5	Outside fixing spindle	1	17	Adjustable plate	2
6	Inside removable spindle	1	18	Saddle	2
7	Inside frame roller	2	19	Handle	1
8	Outside frame roller	2	20	Connect pin	1
9	Lifting screw	1	21	Washer M6	2
10	Bearing	1	22	Bolt M6	2
11	Fixing nut	1	23	Washer M6	2
12	Lock nut M6	1			